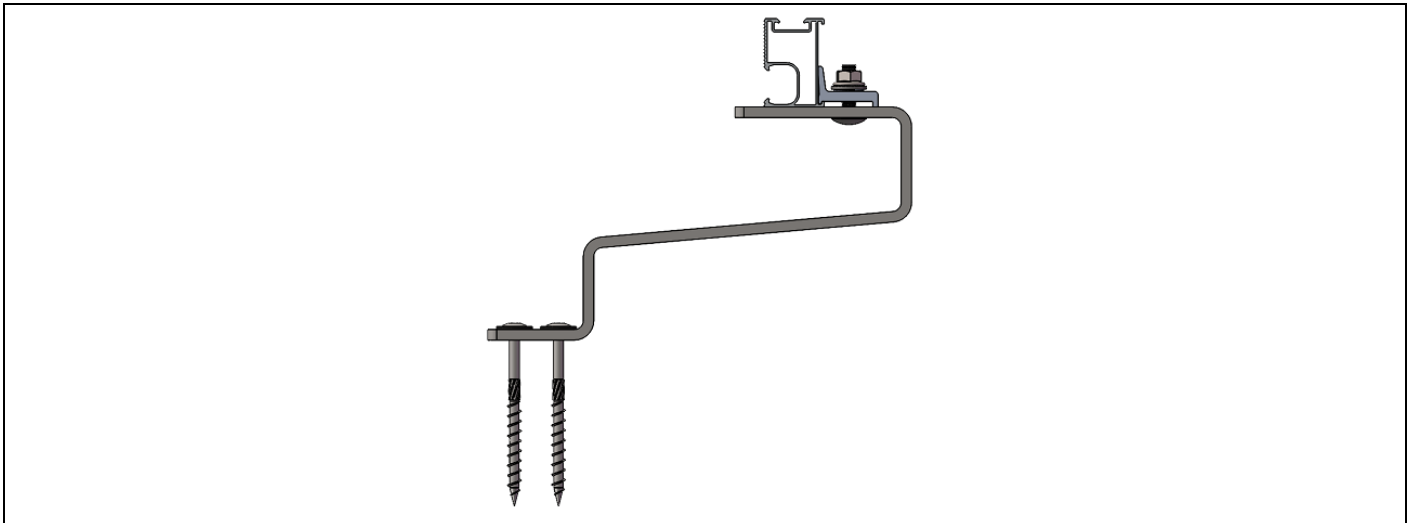
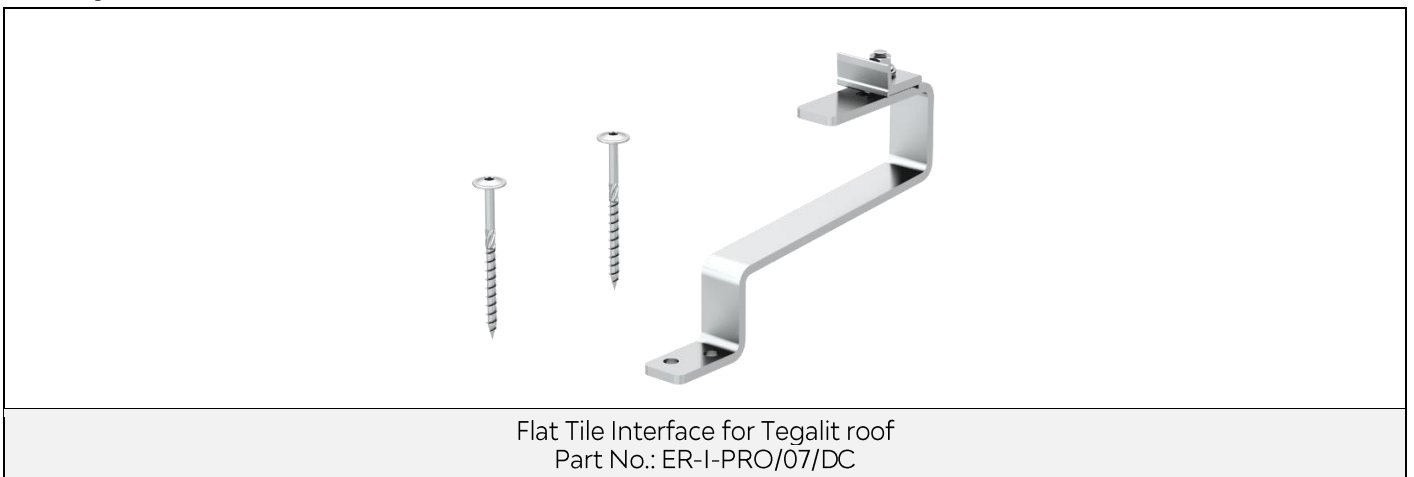


Flat Tile Interface for Tegalit roof

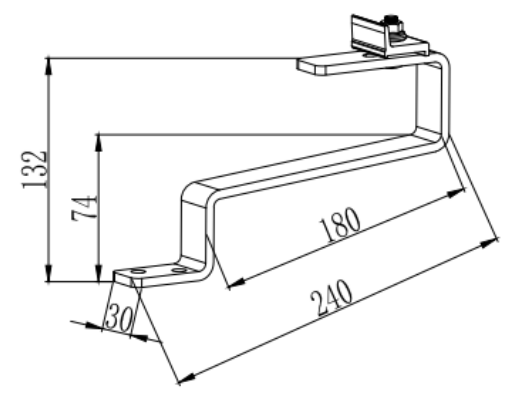
Assembly



Component



Technical Specification

| | | |
|---------------------|---------------------------------------------------------------------------------------------|--------------------------------------------------------------------------------------|
| Application | Tile Roof with Timber Purlin |  |
| Screw Specification | 2 x hexalobular internal Wood screw 8x100mm (T40) | |
| Dimensions | L240*W30*H132mm | |
| Weight | 0.67 kg | |
| Packaging | 12 units per pack, 2 packs (24 units) per carton | |
| Material | Roof Hook: SUS304 Bolts/Washer/Nuts: SUS304 Cross Connector for DC Rail 50: AL6005-T5 | |
| Standard | GB50797 AS NZS1170.2-2011 EN1991 JISC8955 ASCE 7-10 | |