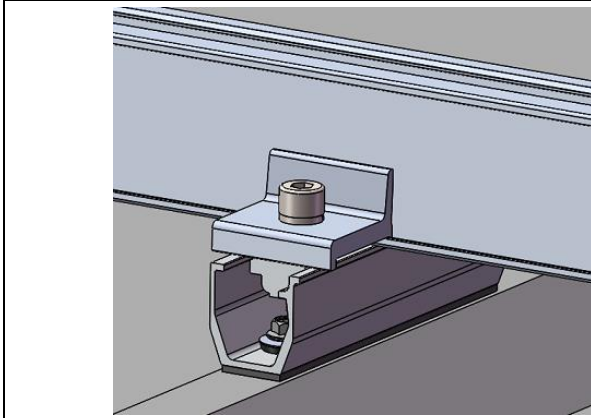
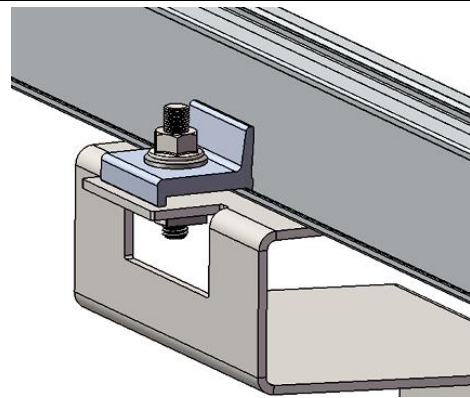


Rail Clamp for DC Rail

Assembly

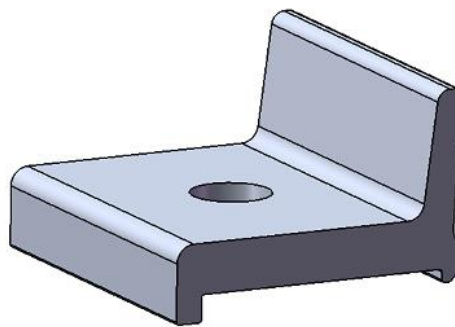


Install with U support



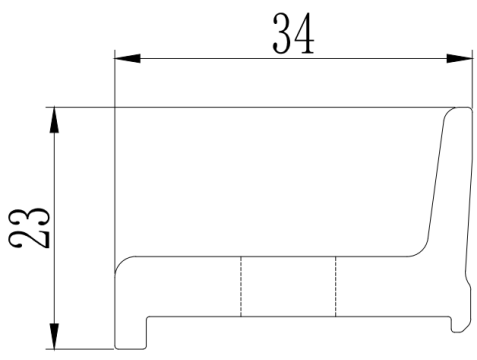
Install with roof hook

Component



Rail Clamp for DC Rail
Part No.: ER-RC-DC (bar code:10-006-01829)

Technical Specification

Fixing method	Fix with DC Rail	
Dimensions	L40*W34*H23mm	
Weight	0.030 Kg	
Packaging	200 units per pack, 4 packs (800 units) per carton	
Material	AL6005-T5	
Color	Silver	
Finish	Anodised (no less than 10 µm, excluding machined surfaces)	
Standard	GB50797 AS NZS1170.2 EN1991 JISC8955 ASCE 7-10	