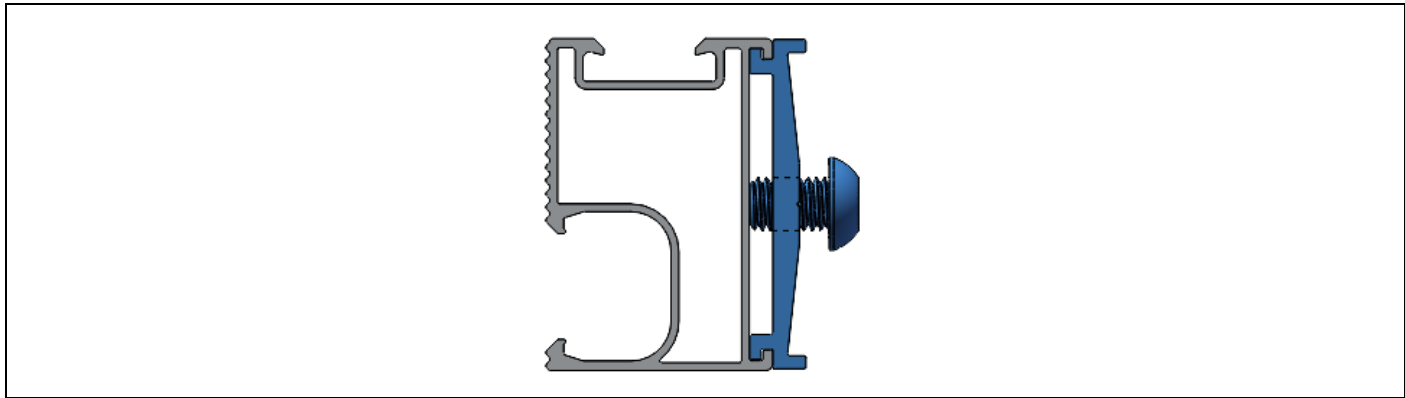


# Splice for DC Rail 50

## Assembly

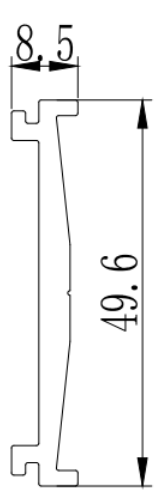


## Component



Splice for DC Rail 50, L200mm  
Part No.: ER-SP-DC50/200

## Technical Specification

Application	Splice for DC Rail 50	
Screw Specification	2 x Button Head Torx Screws M8*12	
Dimensions	L200mm*W8.5mm*H49.6mm	
Weight	0.113 kg	
Packaging	35 units per pack, 4 packs (140 units) per carton	
Material	Main parts: AL6005-T5 Screws: SUS 304	
Color	Silver	
Finish	Anodized (no less than 10 μm, excluding machined surfaces)	
Standard	GB50797   AS NZS1170.2-2011   EN1991   JISC8955   ASCE 7-10	