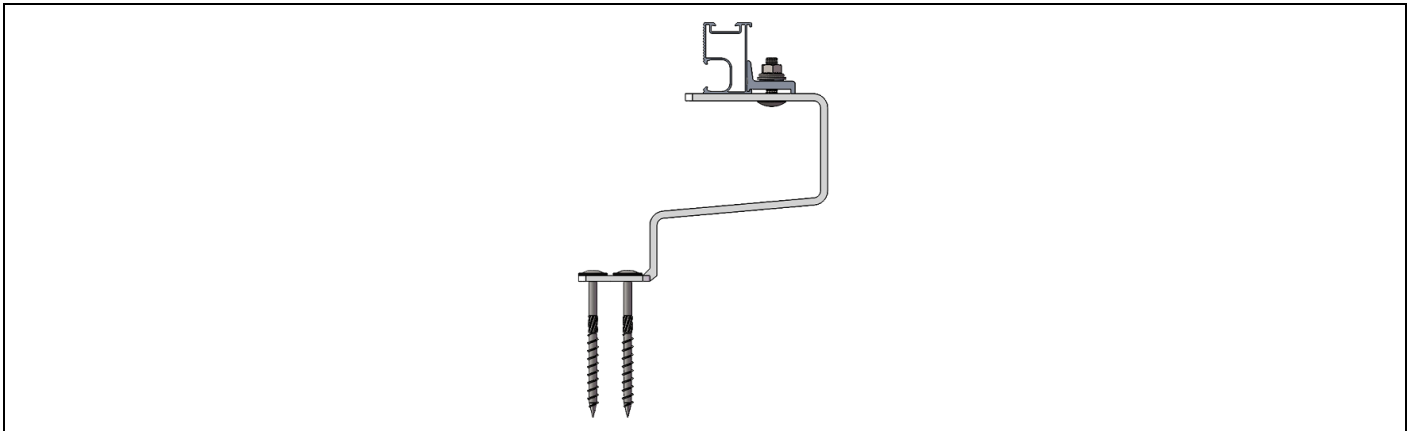


## Tile Interface for light to medium

### Assembly

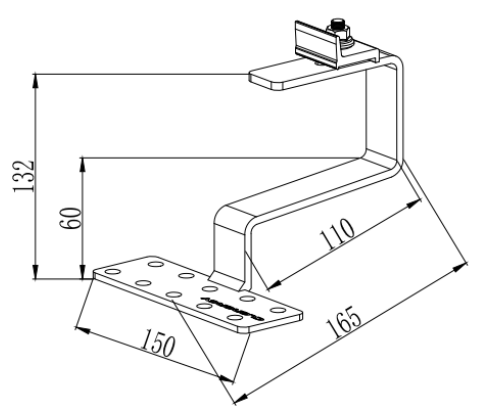


### Component



Tile Interface for light to medium  
Part No.: ER-I-PRO/01/DC

### Technical Specification

<b>Application</b>	Tile Roof with Timber Purlin	
<b>Screw Specification</b>	2 x hexalobular internal Wood screw 8x100mm (T40)	
<b>Dimensions</b>	L165*W150*H132mm	
<b>Weight</b>	0.669 kg	
<b>Packaging</b>	12 units per pack, 2 packs (24 units) per carton	
<b>Material</b>	Roof Hook: SUS304 Bolts/Washer/Nuts: SUS304 Cross Connector for DC Rail 50: AL6005-T5	
<b>Standard</b>	GB50797   AS NZS1170.2-2011   EN1991   JISC8955   ASCE 7-10	