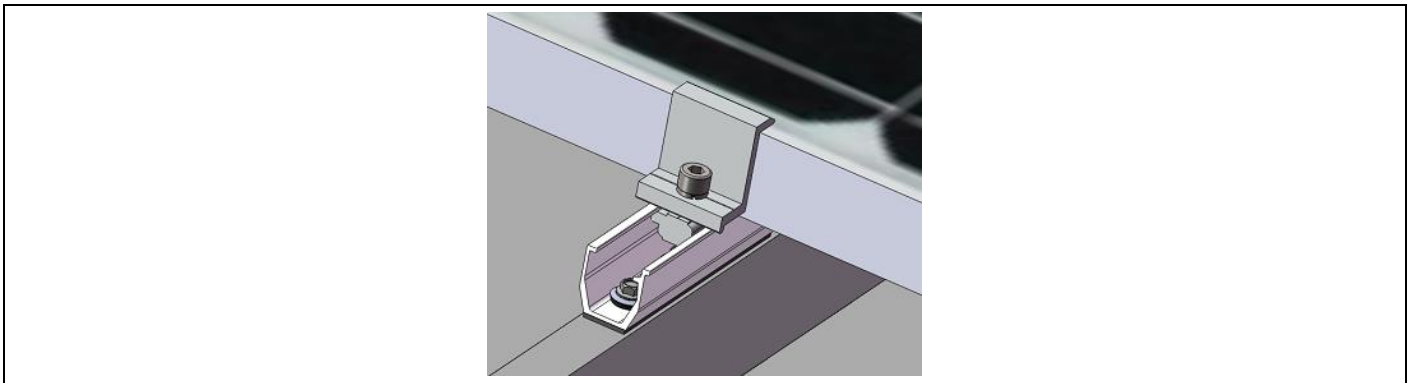
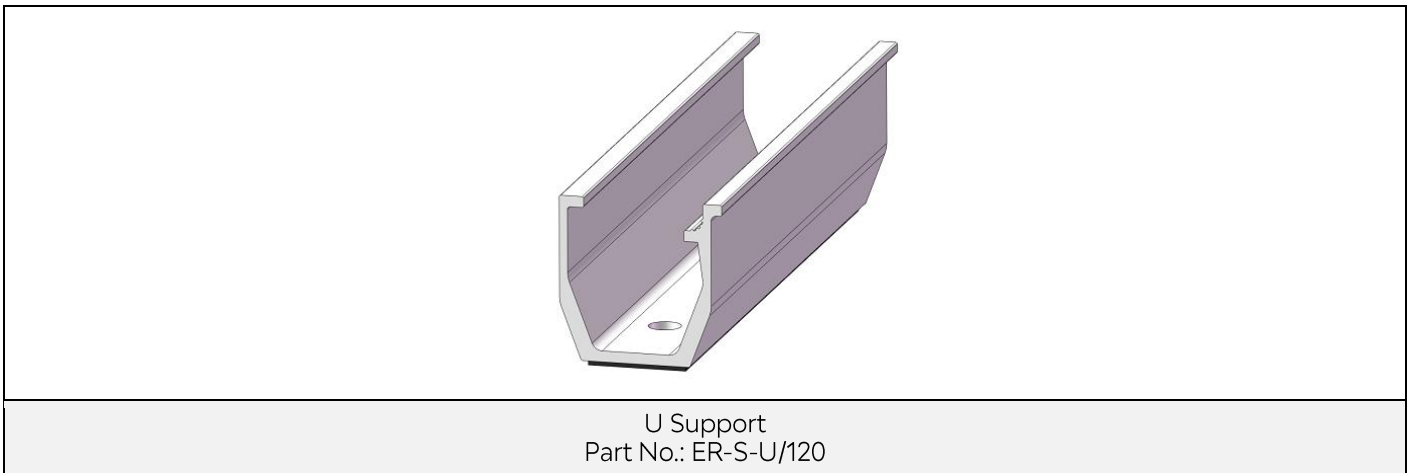


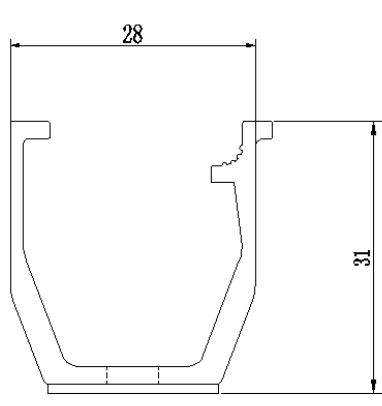
U Support



Component



Technical Specification

Application	Trapezoidal Roof	
Fixing method	Fixed on the Metal roof with Self-drilling screw	
EPDM	Pre-fitted (1mm thickness)	
Dimensions	L120mm*W28mm*H31mm	
Weight	0.062 Kg	
Packaging	120 units per carton	
Material	Main parts: AL6005-T5 Rubber Pad: EPDM	
Color	Silver	
Finish	Anodized (no less than 10 μ m, excluding machined surfaces)	
Standard	GB50797 AS NZS1170.2-2011 EN1991 JISC8955 ASCE 7-10	